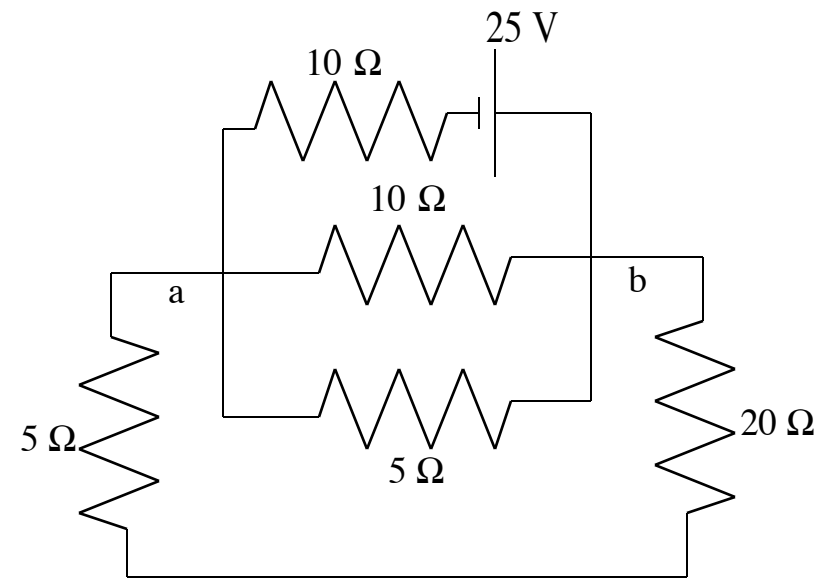


## Problem 18.9 old

a.) Determine the current through the 20 ohm resistor.

b.) Determine the potential difference between 'a' and 'b.'



Assuming you've done the Problem 18.9 in your book (this 18.9 is from the old book), notice anything unusual? You should be able to see that although the two circuits in the two 18.9s look different, they are the SAME CIRCUIT! Tricky, eh?